

NOTES:

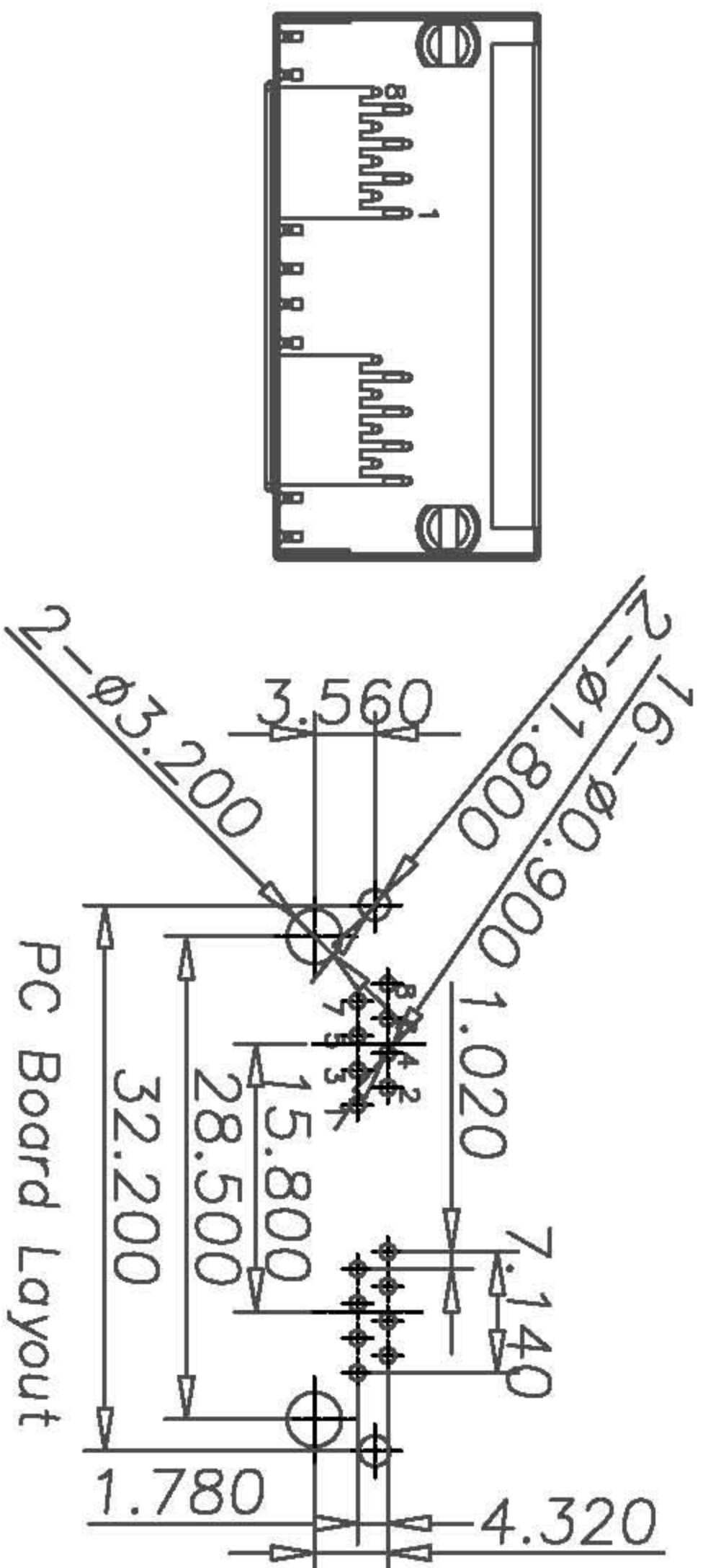
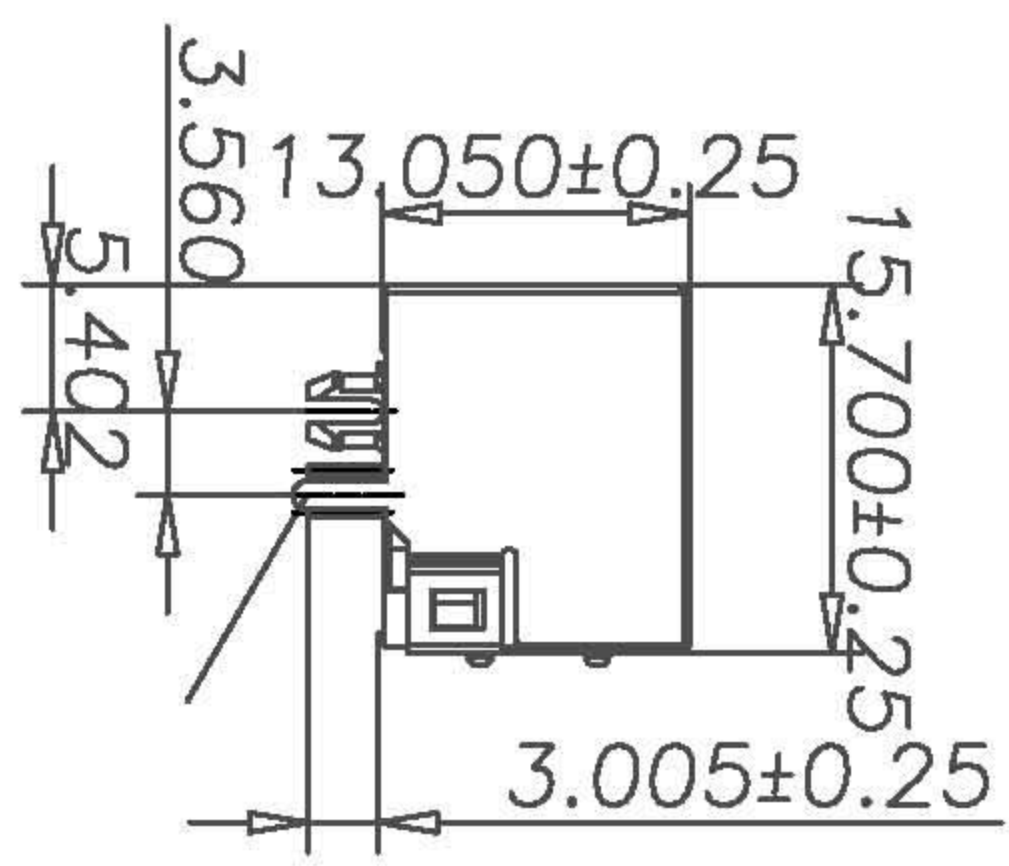
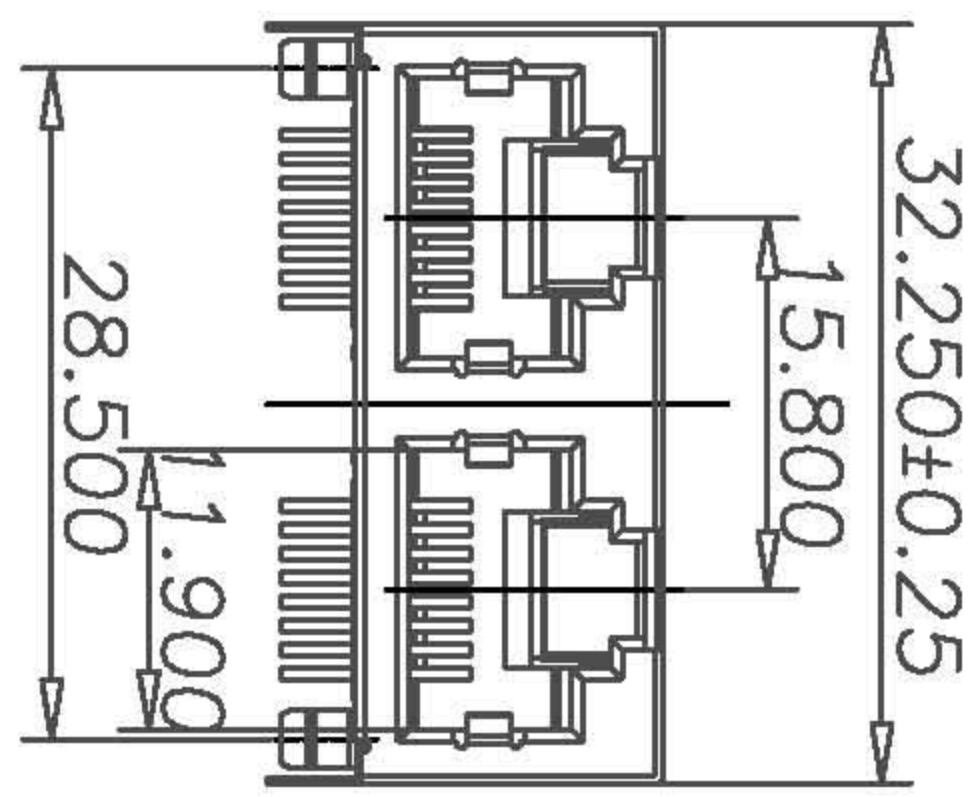
- MATERIAL:
- 1.HOUSING MATERIAL:GLASS FILLED POLYESTER(UL94V-0).
  - 2.CONTACT MATERIAL:PHOSPHR BRONZE  $\phi$ 0.46mm(C5100).
  - 3.PLATING:GOLD PLATING OVER NICKEL.
  - 4.SHIELD,COPPER ALLOY(OR STEEL ALLOY) 0.20mm THICKNESS PLATING NI.
  - 5.LED,OPTION.

ELECTRICAL:

- 1.VOLTAGE RATING :125 VAC RMS.
- 2.CURRENT RATING :1.5 AMP.
- 3.CONTACT RESISTANCE:50 MILLIOHMS MAX.
- 4.INSULATION RESISTANCE :500 MEGOHMS MIN @500V DC.
- 5.DIELECTRIC WITHSTANDING RESISTANCE :1000V AC RMS 50Hz. 1MIN.
- 6.LED RATINGS:FORWARD VOLTAGE:2.2 VOLTS TYPICAL. REVERSE VOLTAGE:5 VOLTS MAXIMUM.

MECHANICAL:

- 1.DURRABILITY :750 CYCLES MIN.
  - 2.PCB RETENTION PRE-SOLDER:1 LB MIN.
- ENVIRONMENTAL:
- 1.STORAGE : -40°C TO +85°C.
  2. OPERATION:0C TO 70C.
- MATES WITH MODULAR PLUG CONFORMING TO FCC PART 68,SUBPART F.



PC Board Layout

F

REVS	ECN-NO	DESCRIPTION	
版本	设计编号	摘要	核准

X.	±0.5	X.	±1°		
X	±0.2	X	±0.5°		
.XX	±0.15	.XX	±0.25°	单位: MM	
.XXX	±0.075	.XXX	±0.125°		



平无灯

产品名称:	JR-56-03P-4L 1X2	标题	产品图	版本	01
批准:	zhang hie	日期:	2011.03.08	图号	JR-562L-005
审核:		日期:		比例:	1:X:1
设计:	zhang wei	日期:	2011.03.08	页次:	01